

DEARBORN *Mowers*

MODELS 14-3 and 14-4

Group 3—DEARBORN SIDE MOUNTED MOWERS

Models 14-3 and 14-4

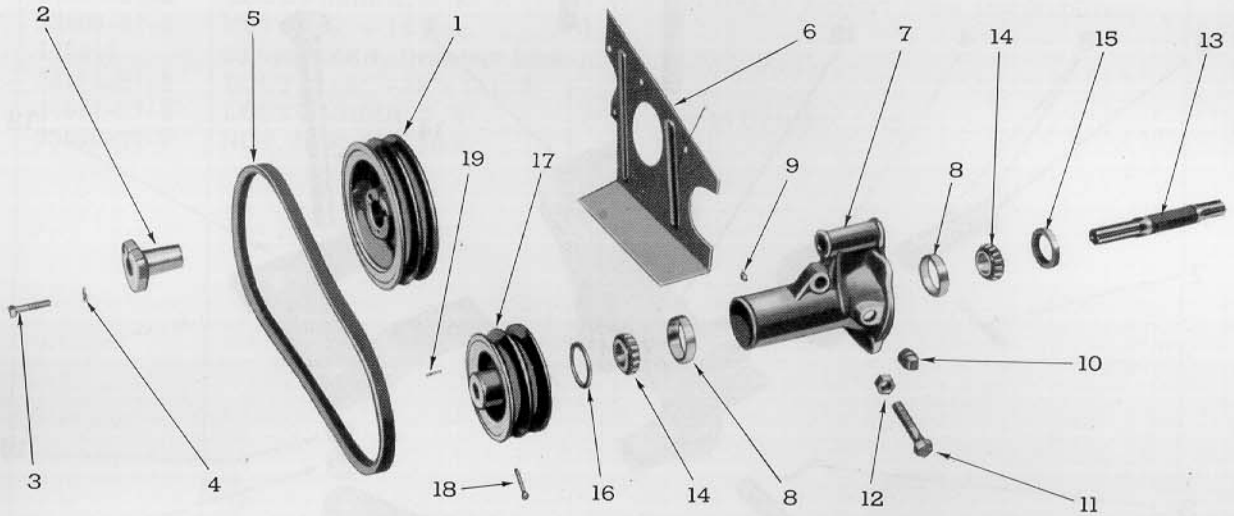


Figure 19 - Drive Pulley and Driven Pulley Housing Assemblies

FIG. 19	PART NO.	NAME AND DESCRIPTION	QTY. REQ.
-	140072	Group 3-1—DRIVE PULLEY AND DRIVEN PULLEY HOUSING ASSEMBLIES	
		V-PULLEY ASSEMBLY, Drive.....	1
		Consists of:	
1	140066	V-PULLEY, Large	1
2	140302	BUSHING, Pulley	1
3	21448-S7-8	CAPSCREW, 7/16" - 14 x 1.72" } Bushing to Pulley	3
4	34808-S7	LOCKWASHER, 7/16" }	
5	140022	V-BELT, 54"	2
6	140407	GUARD, Belt	1
7	140432	PULLEY HOUSING and BEARING CUP ASSEMBLY	1
		Consists of Housing which is not serviced separately plus Bearing Cup listed below:	
8	B-1202	CUP, Bearing	2
9	353035-A-S8	FITTING, Lube -Pulley Housing	1
10	353051-S	PLUG, Pulley Housing	2
11	140221	CAPSCREW, 5/8" - 18 x 3-1/4" Hex. Hd. } Belt Tension Adjusting	1
12	33806-S7-8	NUT, 5/8" - 18 Hex. }	
13	140095	SHAFT, Pulley Housing	1
14	A-1201	CONE, Pulley Housing Shaft, Bearing	2
15	140193	SHIELD, Pulley Housing Oil	1
16	140337	SEAL, Pulley Housing Shaft Bearing Oil	1
17	140065	V-PULLEY, Small Driven	1
18	72012-S	PIN, Clevis, 1/4" x 1-15/16" } Pulley to Shaft	1
19	72009-S7	COTTER PIN, 3/32" x 5/8" }	

DEARBORN *Mowers*

MODELS 14-3 and 14-4

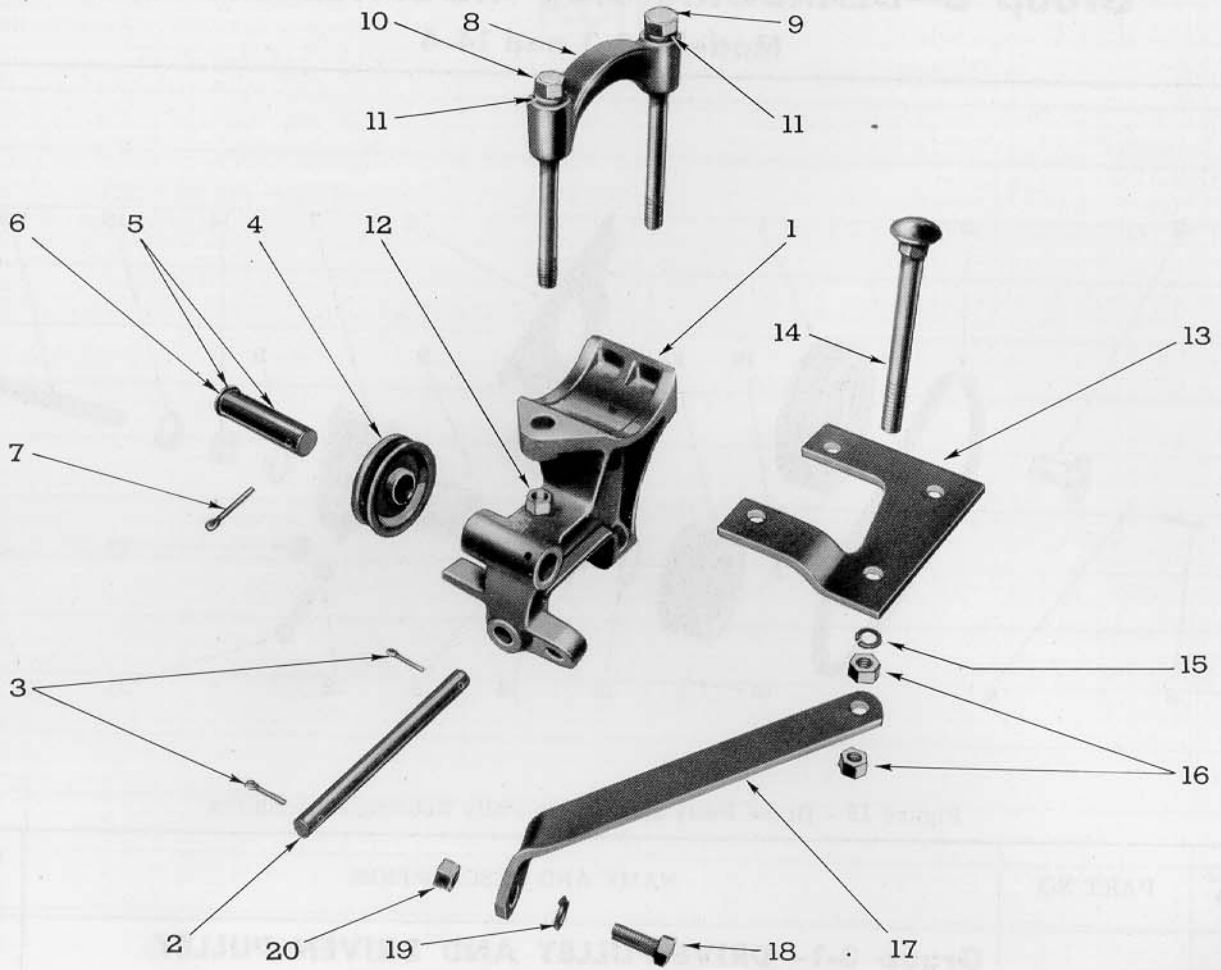


Figure 20 - Pully Housing Support Bracket Assembly

FIG. 20	PART NO.	NAME AND DESCRIPTION	QTY. REQ.
Group 3-2—PULLEY HOUSING SUPPORT BRACKET ASSEMBLY			
1	140392	BRACKET, Pulley Housing Support	1
2	140210	PIN	1
3	72073-S7-8	COTTER PIN, 3/16" x 1-1/2" } Pulley Housing to Support Bracket	1
4	140074	SHEAVE ASSEMBLY, Cable	2
		Consists of Sheave which is not serviced separately plus Fitting listed below:	1
-	353043-A-S8	FITTING, Lube	1
5	140230	PIN ASSEMBLY, Cable Sheave	1
		Consists of Pin which is not serviced separately plus Ring listed below:	
6	140370	RING, Retaining	1
7	72111-S7-8	COTTER PIN, 1/4" x 2"- Cable Sheave Pin to Bracket	1
8	140217	CLAMP, Pulley Housing Support Bracket	1
9	22176-S7-8	BOLT, 5/8" - 18 x 7" Hex. Hd.	1
10	300078	BOLT, 5/8" - 18 x 7-1/2" Hex. Hd.	1
11	34811-S7-8	LOCKWASHER, 5/8" } Clamp to Bracket to Support Plate	1
12	33806-S7-8	NUT, 5/8" - 18 Hex.	2
			2

DEARBORN *Mowers*

MODELS 14-3 and 14-4

FIG. 20	PART NO.	NAME AND DESCRIPTION	QTY. REQ.
Group 3-2—PULLEY HOUSING SUPPORT BRACKET ASSEMBLY (Cont'd)			
13	140393	PLATE, Pulley Housing Support Bracket	1
14	301103	BOLT, 5/8" - 18 x 7" Carr. }	1
15	34811-S7-8	LOCKWASHER, 5/8" }	1
16	33806-S7-8	NUT, 5/8" - 18 Hex. }	2
17	140243	STABILIZER, Drawbar Link	1
18	22175-S7-8	BOLT, 5/8" - 18 x 1-1/2" }	1
19	34811-S7-8	LOCKWASHER, 5/8" }	
20	33806-S7-8	NUT, 5/8" - 18 Hex. }	
} Stabilizer to Drawbar Link			

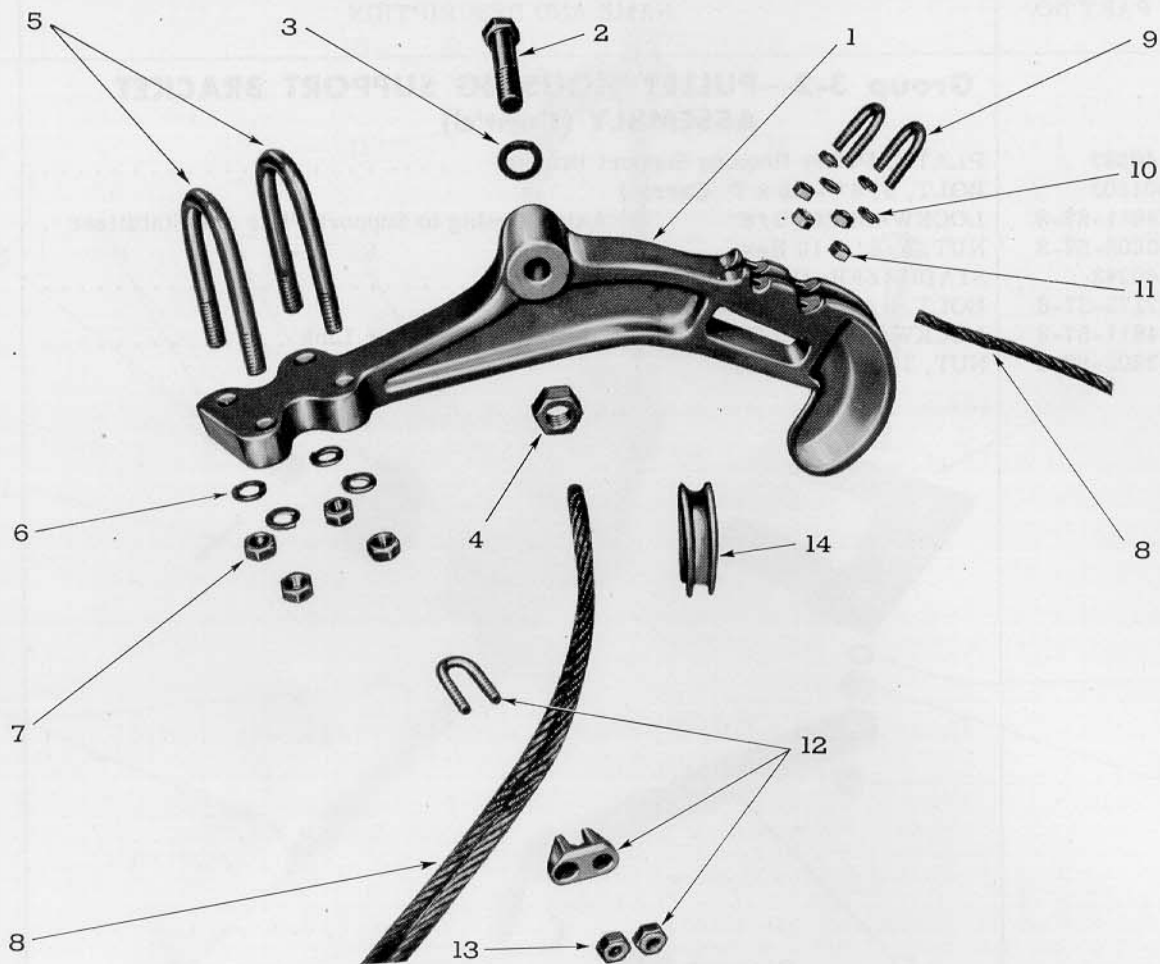


Figure 21 - Cable Extension Lever Assembly

FIG. 21	PART NO.	NAME AND DESCRIPTION	QTY. REQ.
Group 3-3—CABLE EXTENSION LEVER ASSEMBLY			
1	140129	LEVER, Cable Extension	1
2	22179-S7-8	BOLT, 5/8" - 18 x 3-3/4" Hex. Hd.	} Lever to Tractor Lift Arm
3	34811-S7-8	LOCKWASHER, 5/8"	
4	33806-S7-8	NUT, 5/8" - 18 Hex.	
5	140188	U-BOLT, 7/16" - 20	} Lever to Tractor Lift Lever
6	34808-S7-8	LOCKWASHER, 7/16"	
7	33792-S7-8	NUT, 7/16" - 20 Hex.	
8	140360	CABLE, Extension Lever	1
9	140236	U-BOLT, 5/16" - 18	} Cable to Extension Lever
10	34806-S7-8	LOCKWASHER, 5/16"	
11	33797-S7-8	NUT, 5/16" - 18 Hex.	
12	140116	CLAMP ASSEMBLY, Cable	1
Consists of Bracket and U-Bolts which are not serviced separately plus Nuts listed below:			
13	34056-S7-8	NUT, 5/16" - 18 Hex.	2
14	140214	THIMBLE, Cable	1

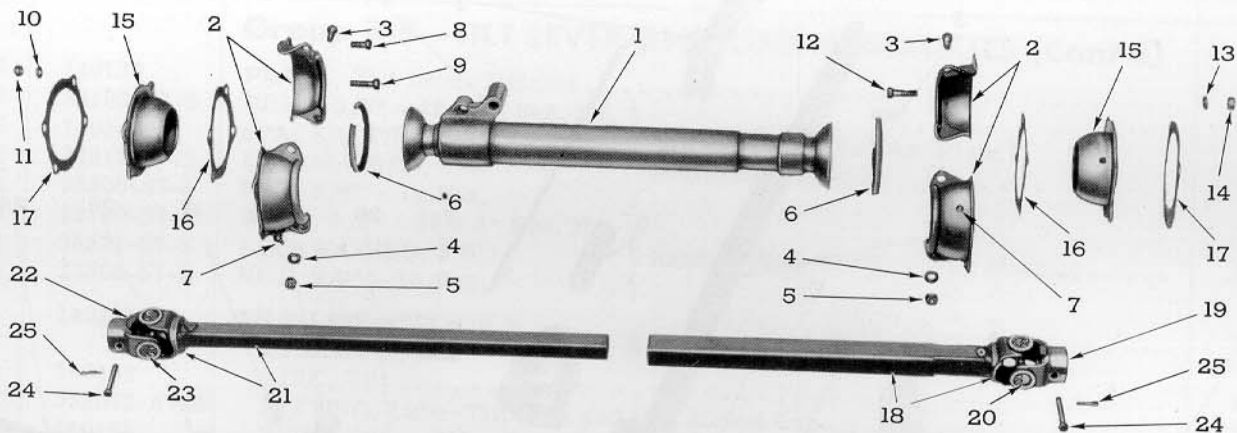


Figure 22 - Drive Shaft and Universal Joint Assemblies

FIG. 22	PART NO.	NAME AND DESCRIPTION	QTY. REQ.
		Group 3-4—DRIVE SHAFT AND UNIVERSAL JOINT ASSEMBLIES	
1	140106	PROPELLER TUBE and BALL SEAT (Welded Assembly)	1
2	140097	U-JOINT HOUSING CAP ASSEMBLY, Outer	2
		Consists of Upper and Lower Caps which are not serviced separately plus items listed below:	
3	20875-S7-8	CAPSCREW, 7/16" - 20 x 1" Hex. Hd. } Upper Cap to Lower Cap	4
4	34808-S7-8	LOCKWASHER, 7/16" }	
5	33792-S8	NUT, 7/16" - 20 Hex. }	
6	B-4516-A	SEAL, Cork Cap	2
7	300312	FITTING, Lube	2
8	20875-S7-8	BOLT, 7/16" - 20 x 1" Hex. Hd. } Cap to Hinge Housing	2
9	20471-S	BOLT, 7/16" - 20 x 1-1/2" Hex. Hd. }	1
10	34808-S7-8	LOCKWASHER, 7/16" }	3
11	33792-S7-8	NUT, 7/16" - 20 Hex. }	4
12	20471-S	BOLT, 7/16" - 20 x 1-1/2" Hex. Hd. } Cap to Pulley Housing	4
13	34808-S7-8	LOCKWASHER, 7/16" }	
14	33792-S7-8	NUT, 7/16" - 20 Hex. }	4
15	140096	CAP, U-Joint Housing - Inner	2
16	140052	GASKET, U-Joint Housing - .015" Thickness - Inner to Outer Cap	As Req.
17	140053	GASKET, U-Joint Housing - .030" Thickness - Outer Cap to Hinges	As Req.
--	140103	DRIVE SHAFT and U-JOINT ASSEMBLY, Upper	1
		Consists of:	
18	141145	SHAFT and YOKE ASSEMBLY	1
19	140181	YOKE, Spline End	1
--	140059	BEARING ASSEMBLY	1
--	140330	JOURNAL ASSEMBLY	4
		Consists of Retainers and Journal which are not serviced separately plus Gasket listed below:	1
--	140055	GASKET	
20	140277	SNAP RING	4
--	140101	DRIVE SHAFT and U-JOINT ASSEMBLY, Lower	4
		Consists of:	1
21	141144	SHAFT and YOKE ASSEMBLY	
22	140181	YOKE, Spline End	1
--	140059	BEARING ASSEMBLY	1
--	140330	JOURNAL ASSEMBLY	4
		Consists of Retainer and Journal which are not serviced separately plus Gasket listed below:	1
--	140055	GASKET	
23	140277	SNAP RING	4
24	74021-S	PIN, 3/8" x 2" Clevis	4
25	72017-S	COTTER PIN, 1/8" x 3/4" } U Joints to Pulley Shaft and Flywheel	2

DEARBORN *Mowers*

MODELS 14-3 and 14-4

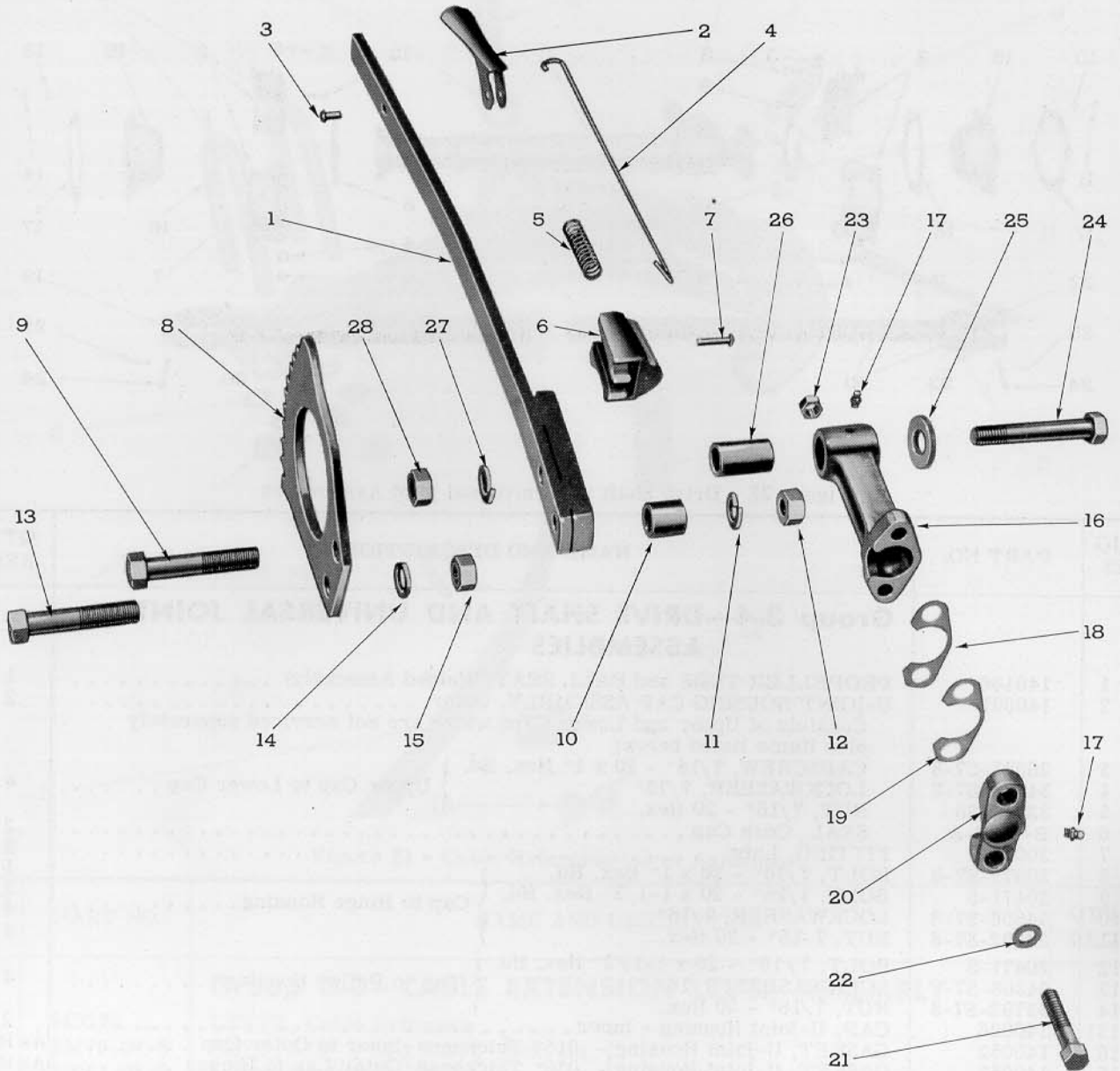


Figure 23 - Tilt Lever and Link Assemblies

FIG. 23	PART NO.	NAME AND DESCRIPTION	QTY. REQ.
		Group 3-5—TILT LEVER AND LINK ASSEMBLIES	
-	140158	TILT LEVER ASSEMBLY	1
		Consists of:	
1	140167	LEVER (Welded Assembly)	1
2	140125	GRIP, Handle	1
3	60414-S	RIVET, 1/4" x 3/4" Rd. Hd.- Handle Grip to Lever	1
4	140126	ROD, Latch	1
5	140085	SPRING, Rod	1
6	140152	LATCH	1
7	60542-S	RIVET, 1/4" x 1-1/2" Rd. Hd.- Latch to Lever	1

DEARBORN *Mowers*

MODELS 14-3 and 14-4

FIG. 23	PART NO.	NAME AND DESCRIPTION	QTY. REQ.
Group 3-5—TILT LEVER AND LINK ASSEMBLIES (Cont'd)			
8	140139	PLATE, Tilt Lever Ratchet	1
9	22180-S7-8	BOLT, 5/8" - 18 x 3" Hex. Hd. }	
10	140349	SPACER, Tilt Lever } Tilt Lever and Ratchet Plate to	
11	34811-S7-8	LOCKWASHER, 5/8" } Driveshaft Housing	1
12	33806-S7-8	NUT, 5/8" - 18 Hex. }	
13	22180-S7-8	BOLT, 5/8" - 18 x 3" Hex. Hd. }	
14	34811-S7-8	LOCKWASHER, 5/8" } Ratchet Plate to Driveshaft Housing	1
15	33806-S7-8	NUT, 5/8" - 18 Hex. }	
--	140151	TILT LINK ASSEMBLY	1
		Consists of:	
16	140138	LINK, Tilt	1
17	353043-A-S8	FITTING, Lube-Tilt Link and Ball Socket Cap	2
18	140174	SHIM, .005 - .007	As Req.
19	140175	SHIM, .010 - .012	As Req.
20	140064	CAP, Tilt Link Ball Socket	1
21	20879-S7	BOLT, 7/16" - 20 x 1-3/4" Hex. Hd. }	
22	34808-S7-8	LOCKWASHER, 7/16" } Ball Socket Cap to Tilt Link	2
23	33792-S7-8	NUT, 7/16" - 20 Hex. }	
24	22179-S7-8	BOLT, 5/8" - 18 x 3-3/4" Hex. Hd. }	
25	141327	WASHER, Flat }	
26	140350	SPACER } Tilt Link to Tilt Lever	1
27	34811-S7-8	LOCKWASHER, 5/8" }	
28	33806-S7-8	NUT, 5/8" - 18 Hex. }	

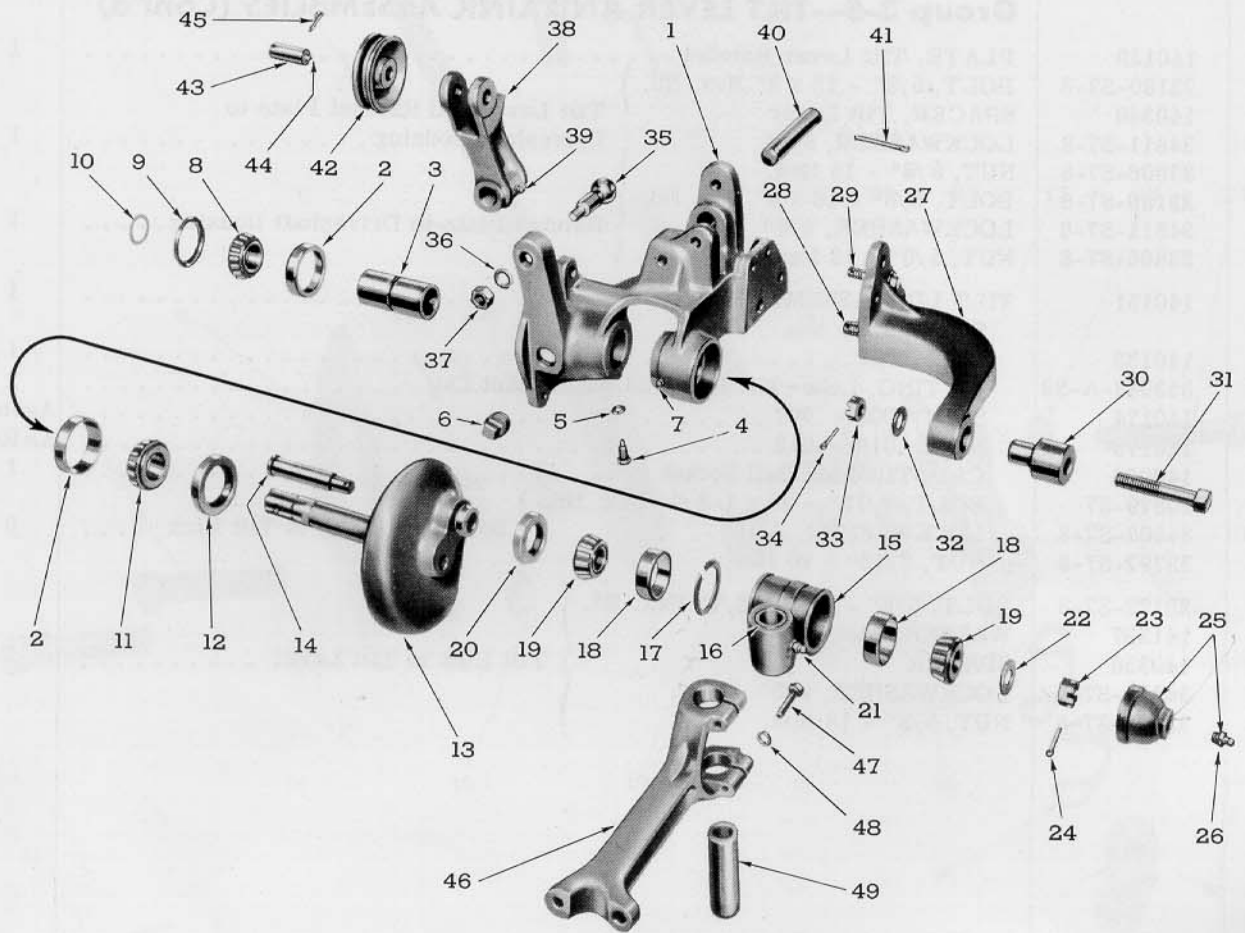


Figure 24 - Hinge and Crankshaft Assemblies

FIG. 24	PART NO.	NAME AND DESCRIPTION	QTY. REQ.
		Group 3-6—HINGE AND CRANKSHAFT ASSEMBLIES	
1	140147	HINGE ASSEMBLY	1
		Consists of Hinge Housing which is not serviced separately plus items listed below:	
2	B-1202	CUP, Bearing	2
3	140161	TUBE	1
4	140264	SET SCREW	
5	34807-S	LOCKWASHER, 3/8" } Hinge Housing to Tube	1
6	353051-S	PLUG, Hinge Housing	2
7	353043-A-S8	FITTING, Lube	1
8	A-1201	CONE, Crankshaft Bearing	1
9	140193	SHIELD, Crankshaft Bearing Oil Seal	1
10	140250	SHIM, .005	
10	140251	SHIM, .0245	
10	140252	SHIM, .0306	
10	140253	SHIM, .0368	
10	140254	SHIM, .0184	
		Crankshaft Bearing Adjusting	As Req.

DEARBORN *Mowers*

MODELS 14-3 and 14-4

FIG. 24	PART NO.	NAME AND DESCRIPTION	QTY. REQ.
Group 3-6—HINGE AND CRANKSHAFT ASSEMBLIES (Cont'd)			
11	A-1201	CONE, Hinge Bearing	1
12	140337	SEAL, Hinge Bearing Oil	1
13	140108	CRANKSHAFT - (Welded Assembly)	1
14	140204	PIN, Pitman	1
--	141316	BOX and BEARING ASSEMBLY, Pitman	1
15	141317	Consists of: BOX and BUSHING ASSEMBLY, Pitman	1
		Consists of Box which is not serviced separately plus Bushing listed below:	
16	141319	BUSHING	2
17	141323	SNAP RING	1
18	8M-1217	CUP, Bearing	2
19	8M-1216	CONE, Bearing	2
20	141322	SEAL, Oil	1
21	353043-A-S8	FITTING, Lube	1
22	351505-S8	WASHER, .65" x 1.25" x .16" Thrust	} Pitman Pin Bearing Adjusting
23	33987-S7-8	NUT, 5/8" - 18 Hex. Slotted	
24	72035-S7-8	COTTER PIN, 1/8" x 1"	
25	141324	CAP ASSEMBLY, Pitman Pin Dust	1
		Consists of Cap which is not serviced separately plus Fitting listed below:	
26	300006	FITTING, Lube	1
27	140148	BRACKET, Hinge	1
28	21047-S	BOLT, 5/8" - 18 x 1-3/4" Hex. Hd.	} Hinge Bracket to Hinge
28	34811-S7-8	LOCKWASHER, 5/8"	
28	33987-S7-8	NUT, 5/8" - 18 Hex.	
--	72071-S7-8	COTTER PIN, 1/8 x 1-1/2"	
29	22287-S7-8	BOLT, 7/16" - 20 x 2" Hex. Hd.	} Hinge Bracket to Hinge
29	44730-S8	WASHER, 7/16" Flat	
29	34808-S7-8	LOCKWASHER, 7/16"	
29	33820-S	NUT, 7/16" - 20 Hex. Slotted	
--	72034-S	COTTER PIN, 3/32" x 1"	
30	140206	PIN, Hinge	1
31	25794-S7-8	BOLT, 5/8" - 18 x 3-1/4" Hex. Hd.	} Hinge Pin to Hinge Bracket
32	34721-S7-8	WASHER, 5/8" Flat	
33	33973-S	NUT, 5/8" - 18 Hex. Slotted	
34	72071-S7-8	COTTER PIN, 1/8" x 1-1/2"	
35	140333	BALL, Tilt Link	1
36	34810-S	LOCKWASHER, 9/16"	} Tilt Link Ball to Hinge Housing
37	33848-S7-8	NUT, 9/16" - 18 Hex.	
38	140070	BRACKET, Cable Sheave	1
39	353043-A-S8	FITTING, Lube - Cable Sheave Bracket	1
40	140203	PIN	} Cable Sheave Bracket to Hinge Housing
41	72147-S7-8	COTTER PIN, 1/4" x 2-1/2"	
42	140068	SHEAVE, Cable	
43	140198	PIN, Cable Sheave	1
44	353043-A-S8	FITTING, Lube - Cable Sheave Pin	1
45	72109-S7-8	COTTER PIN, 3/16" x 2" - Cable Sheave Pin to Bracket	1

NOTE - For items 46 through 49, see page 66.

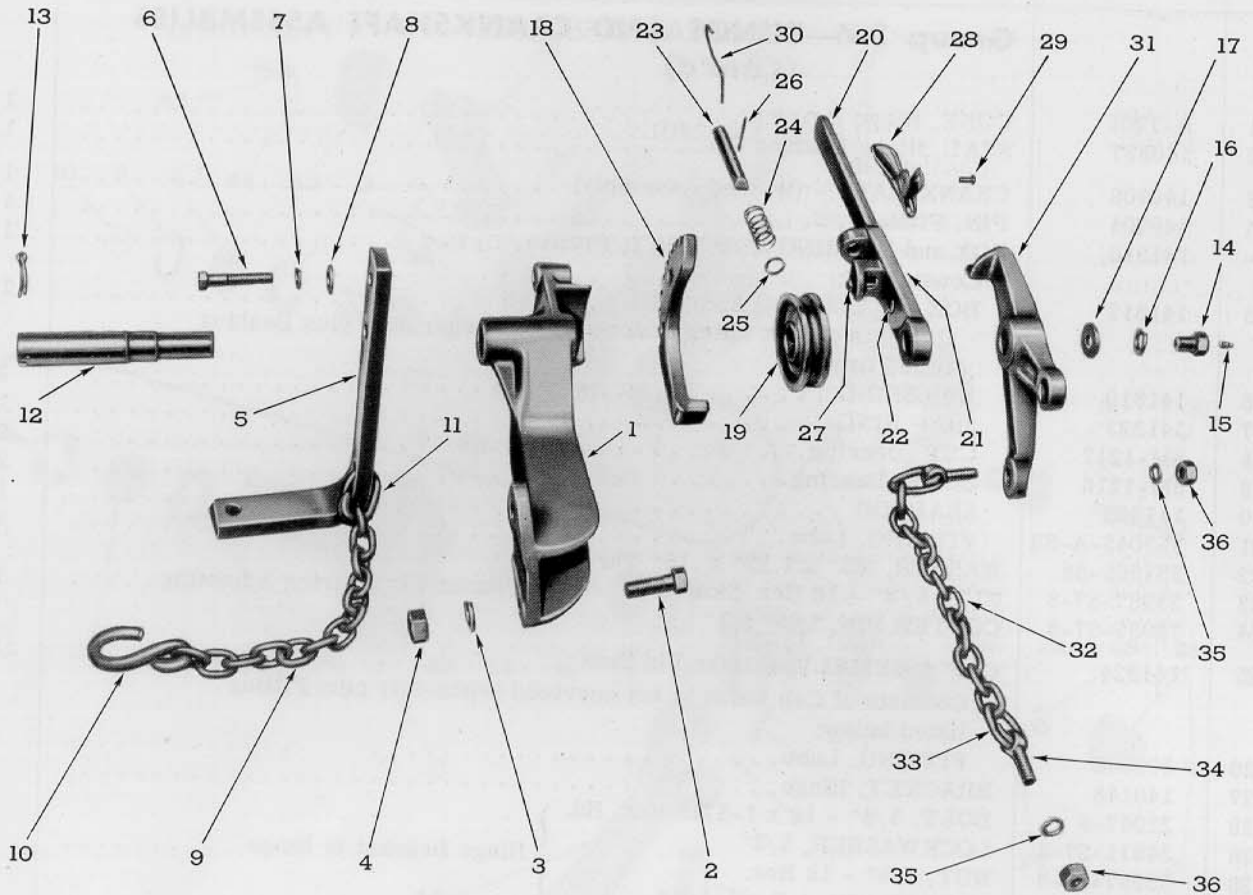


Figure 25 - Pedestal Assembly

FIG. 25	PART NO.	NAME AND DESCRIPTION	QTY. REQ.
Group 3-7—PEDESTAL ASSEMBLY			
1	140119	PEDESTAL	1
2	21046-S7-8	BOLT, 5/8" - 11 x 1-3/4 Hex. Hd.	} Pedestal to Frame
3	34811-S7-8	LOCKWASHER, 5/8"	
4	34091-S7-8	NUT, 5/8" - 11 Hex.	2
5	140358	BRACKET, Support Rod	} Bracket to Pedestal
6	24554-S7-8	BOLT, 1/2" - 20 x 2-3/4" Hex. Hd.	
7	34809-S7-8	LOCKWASHER, 1/2"	
8	44732-S8	WASHER, 1/2" Flat	2
-	140135	SAFETY LINK CHAIN ASSEMBLY	1
		Consists of:	
9	140027	CHAIN, Safety Link	1
10	140133	HOOK, Chain	1
11	141528	LINK, Repair - Chain to Support Rod Bracket	1
12	140242	PIN, Pedestal	1
13	72093-S7-8	COTTER PIN, 1/4" x 1-3/4"	} Counter Balance, Curb Lift Lever and Cable Sheave to Pedestal
14	140269	SCREW, Retainer	
15	353043-A-S8	FITTING, Lube	
16	34811-S7-8	LOCKWASHER, 5/8"	
17	141327	WASHER, 21/32" Flat	

DEARBORN *Mowers*

MODELS 14-3 and 14-4

FIG. 25	PART NO.	NAME AND DESCRIPTION	QTY. REQ.
Group 3-7—PEDESTAL ASSEMBLY (Cont'd)			
18	140150	RATCHET, Curb Lift	1
19	140430	SHEAVE, Cable	1
--	140171	CURB LIFT LEVER ASSEMBLY	1
		Consists of:	
20	140169	LEVER, Curb Lift	1
21	140140	END, Curb Lift Lever	1
22	62309-S	RIVET, 5/16" x 1-3/8" Flat Hd. - Lever to End	2
23	140121	PAWL, Curb Lift Lever	1
24	140090	SPRING, Lever Pawl Release	1
25	140237	WASHER, 41/64" Flat-Spring Retaining	1
26	72053-S7-8	COTTER PIN, 1/8" x 1-1/4"	} Pawl Retaining 1
27	60532-S7-8	RIVET, 5/16" x 1-3/8" Rd. Hd.	
28	140125	GRIP, Lever Handle	1
29	60414-S	RIVET, 1/4" x 3/4" Rd. Hd. - Grip to Lever	1
30	140127	ROD, Lever Latch	1
31	140356	LEVER, Counter Balance	1
32	140026	CHAIN, Counter Balance	1
33	141528	LINK, Repair - Chain to Eye Bolt	1
34	140190	BOLT, Eye	2
35	34809-S7-8	LOCKWASHER, 1/2"	} Eye Bolt to Lever 2
36	33845-S	NUT, 1/2" - 13 Hex.	

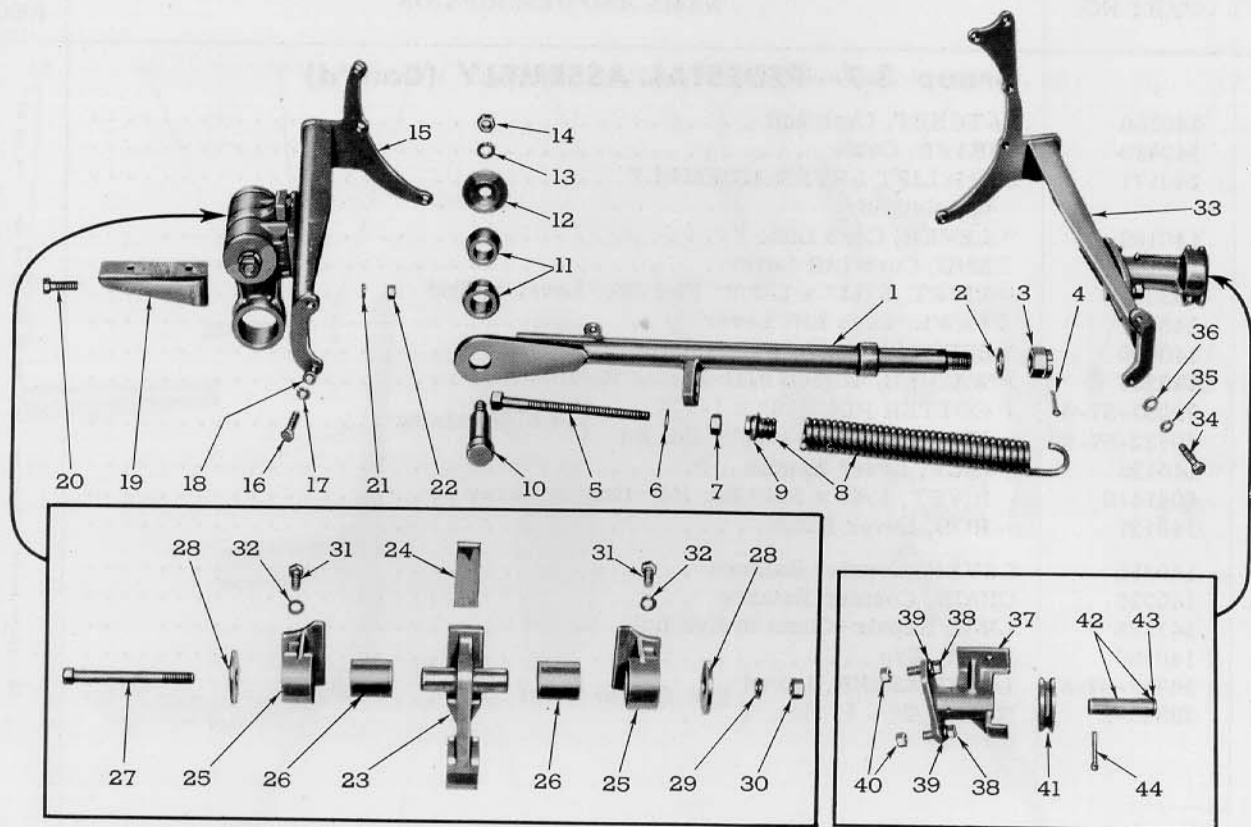


Figure 26 - Dragbar and Frame Assemblies

FIG. 26	PART NO.	NAME AND DESCRIPTION	QTY. REQ.
Group 3-8—DRAGBAR AND FRAME ASSEMBLIES			
1	140381	DRAGBAR (Welded Assembly)	1
2	140238	WASHER, 1-1/8" Flat	} Dragbar to Hinge
3	34038-S7-8	NUT, 1-1/8" - 12 Castle	
4	72109-S7-8	COTTER PIN, 3/16" x 2"	
5	140257	SCREW, Bar Balance Spring Adjusting (Welded Assembly)	
6	34721-S7-8	WASHER, 5/8"	} Bar Balance Spring Adjusting Screw
7	34091-S7-8	NUT, 5/8" - 11 Hex.	
8	140082	SPRING ASSEMBLY, Cutter Bar Balance	
		Consists of Spring which is not serviced separately plus Plug listed below:	
9	140088	PLUG	1
10	140278	BOLT	} Dragbar to Dragbar Arm
11	141395	BUSHING, Rubber	
12	140255	WASHER	
13	34813-S7-8	LOCKWASHER, 3/4"	
14	33852-S7-8	NUT, 3/4" - 16 Hex.	1
15	140374	FRAME, LH (Welded Assembly)	1
16	300019	BOLT, 7/16" - 14 x 1-3/4" Hex. Hd.	} LH Frame to Rear Housing
17	34808-S7-8	LOCKWASHER, 7/16"	
18	44730-S8	WASHER, 7/16" Flat	
--	140218	SHIM	
19	140378	BRACKET, Running Board	1

DEARBORN *Mowers*

MODELS 14-3 and 14-4

FIG. 26	PART NO.	NAME AND DESCRIPTION	QTY. REQ.
Group 3-8—DRAGBAR AND FRAME ASSEMBLIES (Cont'd)			
20	24473-S7-8	BOLT, 1/2" - 20 x 1-1/2" Hex. Hd. }	Running Board Bracket to Frame. . . .
21	34809-S7-8	LOCKWASHER, 1/2" }	
22	33846-S7-8	NUT, 1/2" - 20 Hex. }	
23	140377	ARM, Dragbar	1
24	140196	BLOCK, Rubber-Dragbar Arm to Frame	1
25	140132	BRACKET, Dragbar Arm	2
26	141396	BUSHING, Dragbar Arm Bracket Rubber	2
27	22150-S7-8	BOLT, 3/4" - 16 x 7" Hex. Hd. }	Dragbar Brackets to Arm
28	140255	WASHER }	
29	34813-S7-8	LOCKWASHER, 3/4" }	
30	33852-S7-8	NUT, 3/4" - 16 Hex. }	1
31	21047-S7-8	BOLT, 5/8" - 18 x 1-3/4" Hex. Hd. }	Dragbar Bracket to LH Frame
32	34811-S7-8	LOCKWASHER, 5/8" }	
33	140362	FRAME, RH (Welded Assembly)	1
34	300079	BOLT, 7/16" - 14 x 1-3/4" Hex. Hd. }	RH Frame to Rear Housing
35	34808-S7-8	LOCKWASHER, 7/16" }	
36	34748-S7-8	WASHER, 7/16" }	
--	140218	SHIM }	
37	140368	BRACKET, Cable Sheave	1
38	21047-S7-8	BOLT, 5/8" - 18 x 1-3/4" Hex. Hd. }	Cable Sheave Bracket to RH Frame
39	34811-S7-8	LOCKWASHER, 5/8" }	
40	33850-S7-8	NUT, 5/8" - 18 Hex. }	
41	140074	SHEAVE ASSEMBLY, Cable Consists of Sheave which is not serviced separately plus Fitting listed below:	1
--	353043-A-S8	FITTING, Lube	1
42	140230	PIN ASSEMBLY, Cable Consists of Pin which is not serviced separately plus Ring listed below:	1
43	140370	RING, Retaining	1
44	72129-S7-8	COTTER PIN, 1/4" x 2-1/4"- Cable Pin and Sheave to Bracket	1

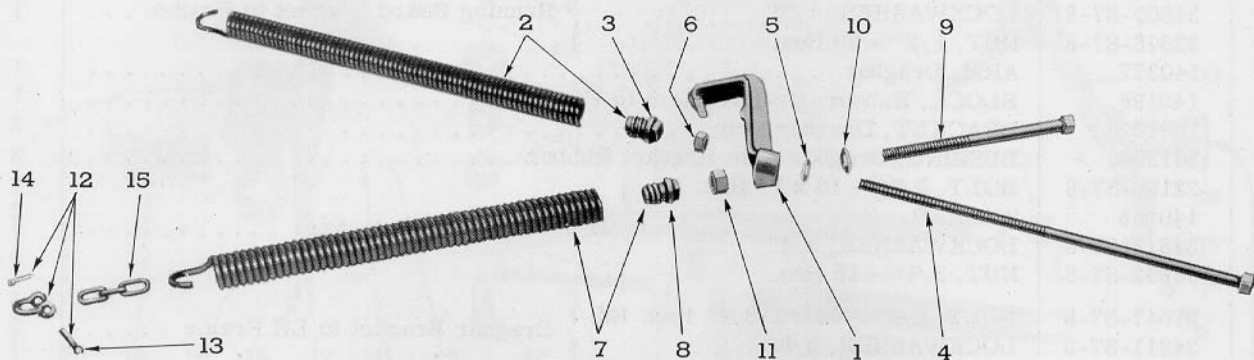


Figure 27 - Hinge Balance and Pull Spring Assemblies

FIG. 27	PART NO.	NAME AND DESCRIPTION	QTY. REQ.
Group 3-9—HINGE BALANCE AND PULL SPRING ASSEMBLIES			
1	140389	BRACKET, Pull Spring	1
2	140093	SPRING and PLUG ASSEMBLY, Hinge Balance	1
		Consists of Spring which is not serviced separately plus Plug listed below:	
3	140088	PLUG	1
4	140228	SCREW, Hinge Balance Adjusting (Welded Assembly)	1
5	34721-S7-8	WASHER, 5/8" Flat } Bracket to Adjusting Screw	1
6	34091-S7-8	NUT, 5/8" - 11 Hex. }	1
7	140087	SPRING and PLUG ASSEMBLY, Pull	1
		Consists of Spring which is not serviced separately plus Plug listed below:	
8	140089	PLUG	1
9	140259	SCREW, Pull Spring Adjusting (Welded Assembly)	1
10	34763-S	WASHER, 3/4" Flat } Bracket to Adjusting Screw	1
11	33851-S	NUT, 3/4" - 10 Hex. }	1
12	141381	CLEVIS ASSEMBLY, Chain	1
		Consists of Clevis which is not serviced separately plus items listed below:	
13	74016-S	PIN, 1/2" x 1-15/16" Pull Spring Chain Clevis	1
14	72035-S7-8	COTTER PIN, 1/8" x 1" - Pull Spring Clevis Pin	1
15	140029	CHAIN, Pull Spring	1

DEARBORN *Mowers*

MODELS 14-3 and 14-4

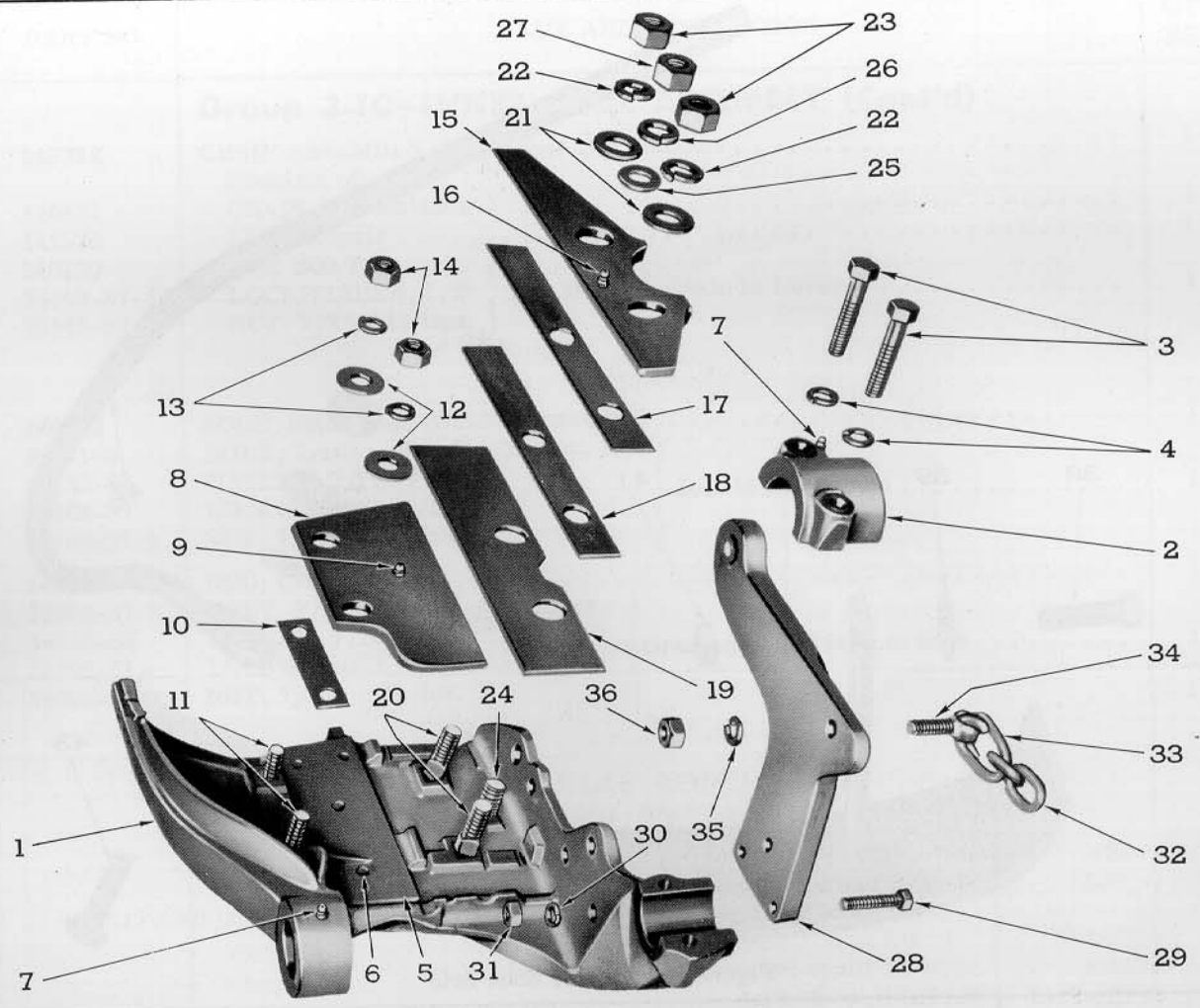


Figure 28 - Inner Shoe Assembly

FIG. 28	PART NO.	NAME AND DESCRIPTION	QTY. REQ.
		Group 3-10—INNER SHOE ASSEMBLY	
1	140034	INNER SHOE ASSEMBLY	1
		Consists of Shoe which is not serviced separately plus items listed below:	
2	140317	CAP, Inner Shoe	1
3	20872-S7-8	BOLT, 7/16" - 20 x 2" Hex. Hd. } Cap to Inner Shoe	2
4	34808-S7-8	LOCKWASHER, 7/16" }	
5	140036	PLATE, Inner Shoe Wear	1
6	62303-S	RIVET, 3/16" x 7/8" Flat Hd.- Wear Plate to Inner Shoe	4
7	353043-A-S8	FITTING, Lube, Inner Shoe and Cap	2
8	140155	KNIFE GUIDE ASSEMBLY, Front	1
		Consists of Guide which is not serviced separately plus Fitting listed below:	
9	353043-A-S8	FITTING, Lube	1
10	141031	SHIM, .015 } Front Knife Guide to Inner Shoe	As Req.
11	23502-S7-8	BOLT, 7/16" - 14 x 1-3/4" Carr. }	2
12	44732-S8	WASHER, 7/16" Flat }	2
13	34808-S7-8	LOCKWASHER, 7/16" }	2
14	34090-S7-8	NUT, 7/16" - 14 Hex. }	2

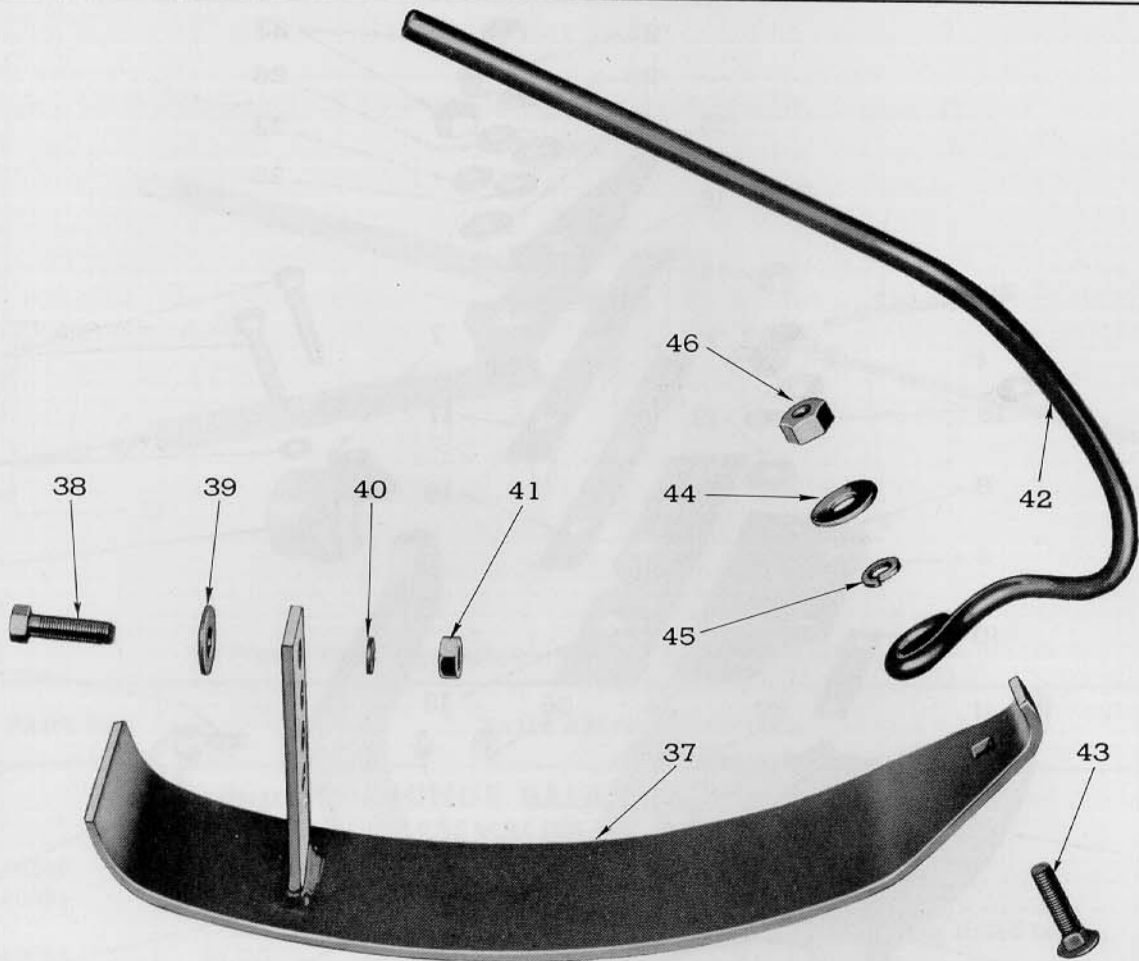


Figure 28A - Inner Shoe Sole

FIG. 28	PART NO.	NAME AND DESCRIPTION	QTY. REQ.
Group 3-10—INNER SHOE ASSEMBLY (Cont'd)			
15	140157	KNIFE GUIDE ASSEMBLY, Rear Consists of Guide which is not serviced separately plus Fitting listed below:	1
16	353043-A-S8	FITTING, Lube	1
17	140260	SHIM, .015	} Rear Knife Guide to Wear Plate
18	140320	SHIM, .1196	
19	140041	PLATE, Rear Knife Guide Wear	
20	350719-S7	BOLT, 5/8" - 18 x 2.68" Carr.	1
21	34721-S7-8	WASHER, 5/8" Flat	} Rear Knife Guide and Cutter Bar to Inner Shoe
22	34811-S7-8	LOCKWASHER, 5/8"	
23	33806-S7-8	NUT, 5/8" - 18 Hex.	
24	300061	BOLT, 5/8" - 18 x 1-3/4" Carr.	
25	34721-S7-8	WASHER, 5/8" Flat	} Inner Shoe to Cutter Bar
26	34811-S7-8	LOCKWASHER, 5/8"	
27	33806-S7-8	NUT, 5/8" - 18 Hex.	
28	140047	LEVER, Inner Shoe Elevator	1
29	20872-S7-8	BOLT, 7/16" - 20 x 2" Hex. Hd.	} Lever to Inner Shoe
30	34808-S7-8	LOCKWASHER, 7/16"	
31	33792-S7-8	NUT, 7/16" - 20 Hex.	

DEARBORN *Mowers*

MODELS 14-3 and 14-4

FIG. 28	PART NO.	NAME AND DESCRIPTION	QTY. REQ.
Group 3-10—INNER SHOE ASSEMBLY (Cont'd)			
--	140282	CHAIN ASSEMBLY, Inner Shoe Bar Balance	1
		Consists of:	
32	140431	CHAIN, Bar Balance	1
33	141528	LINK, Repair	1
34	140190	EYE BOLT	
35	34809-S7-8	LOCKWASHER, 1/2" } Bar Balance Chain to Lever	1
36	33845-S7-8	NUT, 1/2" - 13 Hex. }	
Fig. 28A			
37	140032	SOLE, Inner Shoe (Welded Assembly)	1
38	20471-S	BOLT, 7/16" - 20 x 1-1/2" Hex. Hd. }	
39	44732-S8	WASHER, 7/16" Flat }	
40	34808-S7	LOCKWASHER, 7/16" }	1
41	33792-S7-8	NUT, 7/16" - 20 Hex. }	
42	140286	ROD, Grass	1
43	23502-S7-8	BOLT, 7/16" - 14 x 1-3/4" Carr. }	
44	44732-S8	WASHER, 7/16" Flat }	
45	34808-S7	LOCKWASHER, 7/16" }	1
46	34090-S7-8	NUT, 7/16" - 20 Hex. }	

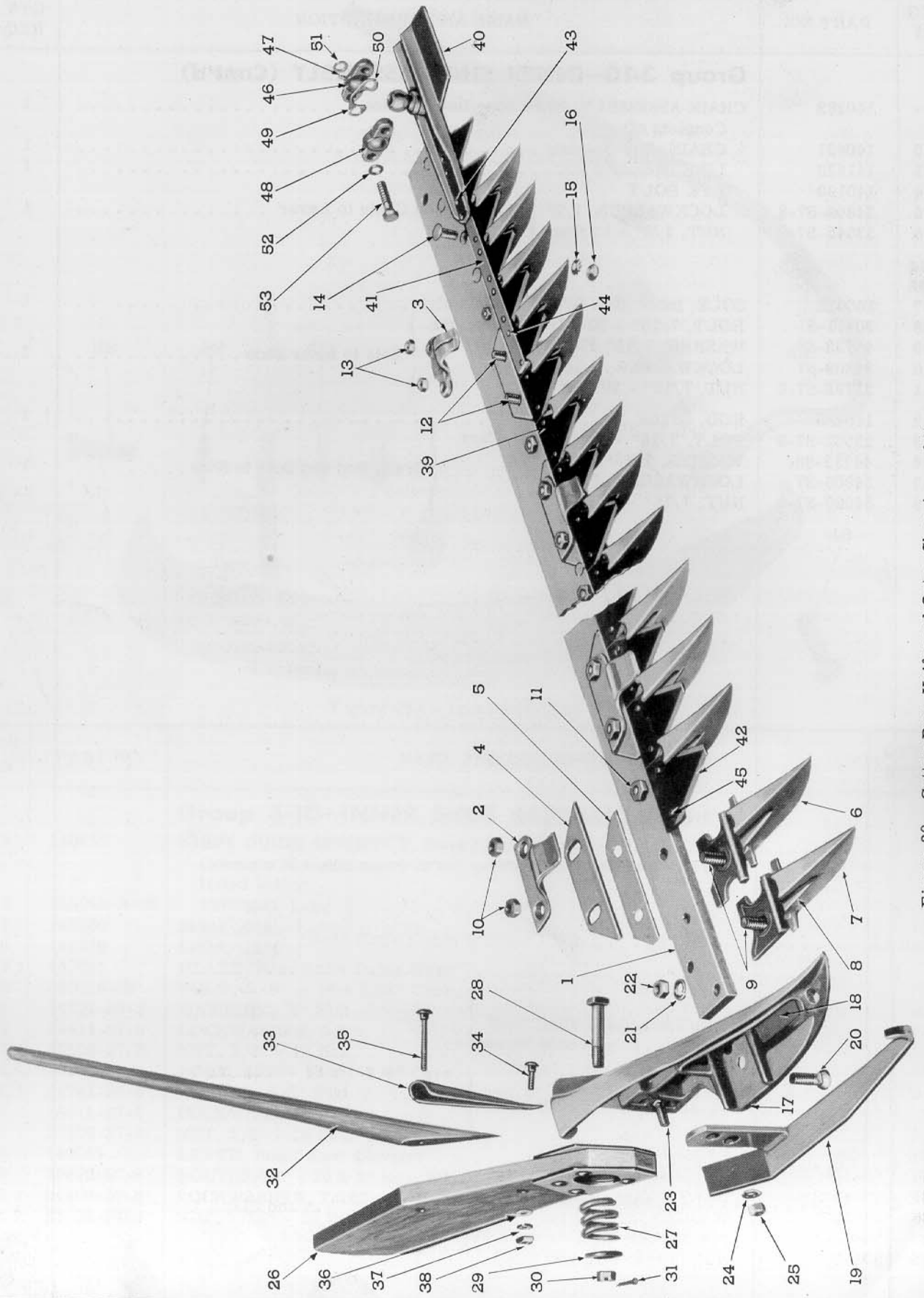


Figure 29 - Cutter Bar, Knife and Outer Shoe Assemblies

DEARBORN *Mowers*

MODELS 14-3 and 14-4

FIG. 29	PART NO.	NAME AND DESCRIPTION	QTY. REQ.	
			14-3	14-4
Group 3-11—CUTTER BAR, KNIFE AND OUTER SHOE ASSEMBLIES				
-	141006	CUTTER BAR and OUTER SHOE ASSEMBLY, 5'	1	
-	140003	CUTTER BAR and OUTER SHOE ASSEMBLY, 6'		1
		Consists of:		
1	141005	BAR, Cutter, 6'		1
-	140037	BAR, Cutter, 5'	1	
2	141007	CLIP, Knife - Plain	4	5
3	141008	CLIP, Knife - Inner	1	1
4	141021	PLATE, Wear	5	6
5	141015	SHIM, .050	5	6
6	141009	GUARD ASSEMBLY, Rock	18	22
-	140470	GUARD ASSEMBLY, Plain	18	22
7	141013	GUARD ASSEMBLY, Rock - Outer	1	1
-	140472	GUARD ASSEMBLY, Plain - Outer	1	1
		Consists of Guard which is not serviced separately plus items listed below:		
8	142570	PLATE, Ledger (Opt. with 141011)	19	23
	141011	PLATE, Ledger (Opt. with 142570)		
-	141012	RIVET - Ledger Plate to Rock Guard	19	23
9	355708-S7-8	BOLT, 7/16" - 20 x 1-1/2" Plow } Plain Clip to Cutter Bar and		
10	300003	NUT, 7/16" - 20 Hex. } Rock Guard	8	10
11	350690-S7-8	BOLT, 7/16" - 20 x 1-1/4" Plow } Rock Guard to Cutter Bar	7	9
11	300003	NUT, 7/16" - 20 Hex. }		
12	350693-S7-8	BOLT, 7/16" - 20 x 1-3/4" Plow } Inner Clip to Cutter Bar and		
13	33792-S7	NUT, 7/16" - 20 Hex. } Rock Guard	2	2
14	300372	BOLT, 7/16" - 20 x 1-1/4" Plow, Rib Neck } Rock Guard to		
15	34958-S	LOCKWASHER, 7/16" Shakeproof } Cutter Bar	2	2
16	141044	NUT		
17	141016	SHOE ASSEMBLY, Outer	1	1
		Consists of Shoe which is not serviced separately plus items listed below:		
18	142571	PLATE, Ledger	1	1
--	141019	RIVET, .210 x 11/16" } Plate to Shoe	1	1
--	141020	RIVET, .210 x 1-3/16" }		
19	141022	SOLE, Outer Shoe (Welded Assembly)	1	1
20	355708-S7	BOLT, 7/16" - 20 x 1-1/2" Plow } Outer Shoe to Cutter Bar	2	2
21	34808-S	LOCKWASHER, 7/16" }		
22	141044	NUT, 7/16" - 20 Hex. }		
23	23440-S7-8	BOLT, 3/8" - 16 x 1-1/4" Carr. } Sole to Outer Shoe Assembly.	1	1
24	34807-S7-8	LOCKWASHER, 3/8" }		
25	33799-S7-8	NUT, 3/8" - 16 Hex. }		
--	142644	SWATHBOARD and FITTING ASSEMBLY	1	1
		Consists of:		
26	142645	SWATHBOARD (Riveted Assembly)	1	1
27	140443	SPRING, Swathboard	1	1
28	142650	BOLT, 1/2" - 13 x 2-1/2" Sq. Hd. } Swathboard and Spring to	1	1
29	141327	WASHER } Outer Shoe	2	2
30	33982-S7-8	NUT, 1/2" - 13 Hex. Slotted }	1	1
31	72035-S7-8	COTTER PIN, 1/8" x 1" }	1	1
32	142651	STICK, Grass	1	1
33	142652	CLAMP, Grass Stick	1	1
34	23438-S	BOLT, 5/16" - 18 x 1-1/4" Carr. } Grass Stick and Clamp to	1	1
35	23543-S	BOLT, 5/16" - 18 x 2-1/2" Carr. }	1	1
36	44723-S	WASHER, 5/16" Flat } Swathboard	2	2
37	34806-S	LOCKWASHER, 5/16" }	2	2
38	33797-S	NUT, 5/16" - 18 Hex. }	2	2

DEARBORN *Mowers*

MODELS 14-3 and 14-4

FIG. 29	PART NO.	NAME AND DESCRIPTION	QTY. REQ.	
			14-3	14-4
Group 3-11—CUTTER BAR, KNIFE AND OUTER SHOE ASSEMBLIES				
39	140015	KNIFE ASSEMBLY, 5' Underserrated	1	
--	140017	KNIFE ASSEMBLY, 6' Underserrated		1
--	140408	KNIFE ASSEMBLY, 5' Plain	1	
--	140409	KNIFE ASSEMBLY, 6' Plain		1
Consists of:				
40	140019	HEAD, Knife	1	1
--	141114	RIVET - Knife Head to Back	2	2
41	141110	REINFORCEMENT, Knife Head	1	1
--	140008	BACK, Knife, 5'	1	
--	141111	BACK, Knife, 6'		1
42	141113	KNIFE, Underserrated	20	24
--	141682	KNIFE, Plain	20	24
43	141115	RIVET, Knife Section to Back	6	6
44	141121	RIVET, Knife Section to Back	7	7
45	141116	RIVET, Knife Section to Back	28	36
--	140165	PITMAN ASSEMBLY	1	1
Consists of:				
46	140064	CAP, Ball Socket Inner	1	1
47	353043-A-S8	FITTING, Lube, Ball Socket Inner Cap	1	1
48	140170	CAP, Ball Socket Outer	1	1
49	140174	SHIM, .005 to .007		
50	140175	SHIM, .010 to .012 Outer to Inner Cap	As Req.	As Req.
51	351453-S7-8	WASHER, .53 x .875 x .093 Flat, Inner Ball Socket to Pitman	4	4
52	140220	BOLT, 1/2" - 13 x 2-1/4" Hex. Hd. } Inner and Outer Ball		
53	34809-S7-8	LOCKWASHER, 1/2" } Socket to Pitman	2	2
FIG. 24	140437	PITMAN	1	1
47	20427-S7-8	CAPSCREW, 5/16" - 24 x 1-1/4" Hex. Hd. } Pitman Fork		
48	34806-S7-8	LOCKWASHER, 5/16" }	2	2
49	140079	PIN, Wrist	1	1

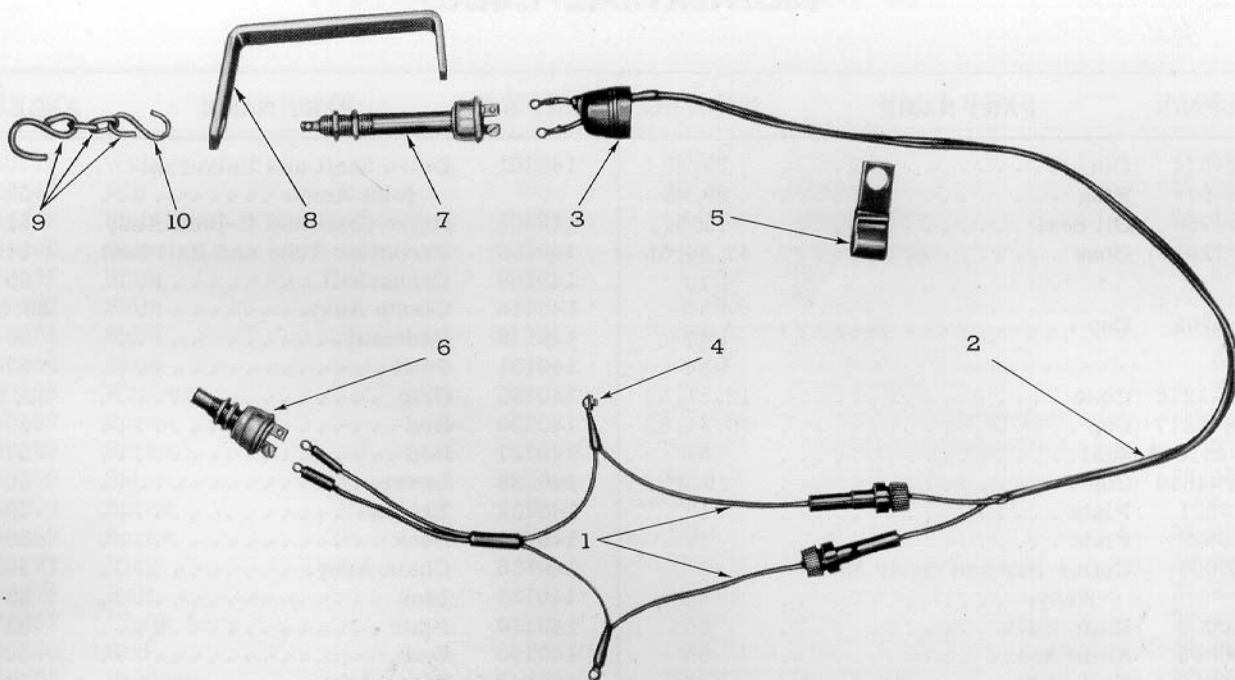


Figure 30 - Electric Switch and Harness Assembly

FIG. 30	PART NO.	NAME AND DESCRIPTION	QTY. REQ.
		Group 3-12—ELECTRIC SWITCH AND HARNESS ASSEMBLY	
-	140400	SWITCH and HARNESS ASSEMBLY, Electric	1
		Consists of:	
-	140404	HARNESS ASSEMBLY	1
		Consists of:	
1	140511	HARNESS, Lower	1
2	140510	HARNESS, Upper	1
3	140406	CAP, Rubber	1
4	27692-S	SCREW, No. 8-32 x 1/4" Rd. Hd.	} Upper to Lower Harness
4	34822-S	LOCKWASHER, No. 8 Light	
4	34065-S	NUT, No. 8-32 Hex.	
5	140405	CLIP, Cable	2
6	140402	SWITCH, Push Button	1
7	140401	SWITCH, Safety	1
8	140403	BRACKET, Switch	1
9	140512	CHAIN ASSEMBLY, Safety Switch	1
		Consists of Chain and Eye which are not serviced separately plus Hook listed below:	
10	141665	HOOK, Chain	1